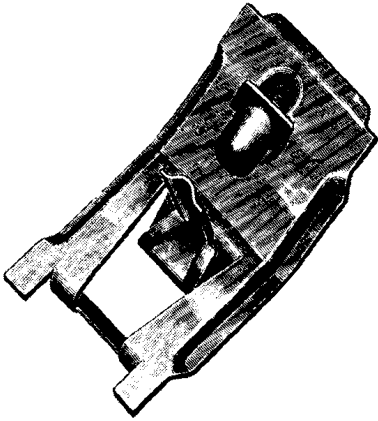
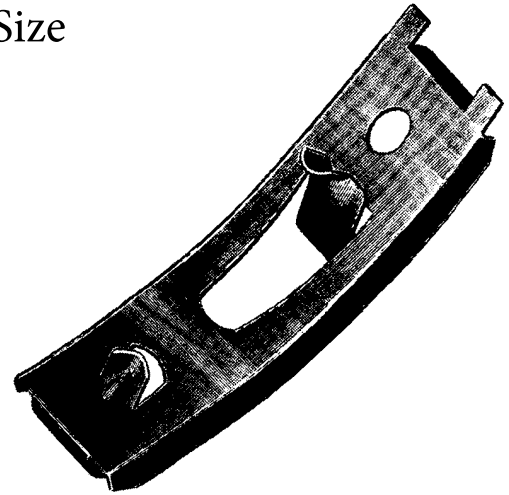


# Rocker Panel Clips

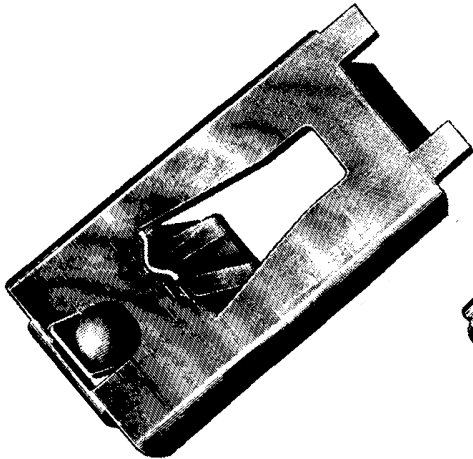
Illustrations Are Actual Size



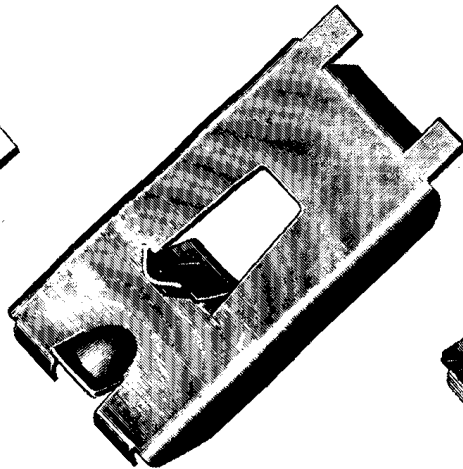
2294.....\$2.75Ea  
Chevy, Pontiac 49-52



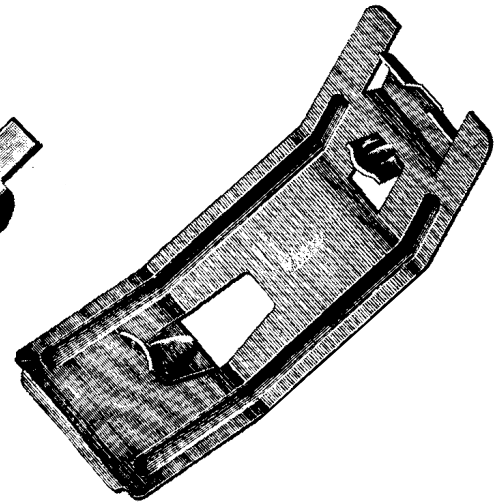
2529.....\$2.25Ea  
Dodge 1954



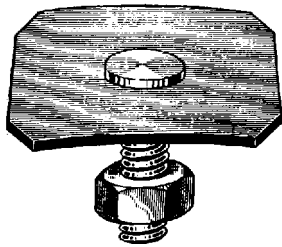
2405.....\$3.50Ea  
Dodge 1949



2408.....\$3.50Ea  
Plymouth 51-52



3304.....\$2.75Ea  
Ford 1960



All of these 2336 Moulding Bolts have a 1/4-20 X 3/4" Bolt and that vary by the plate size. Bolt is centered on the plate.

2336.....\$1.65Ea  
1-3/8" X 1-3/8"  
Ford, Mercury 47-48  
Hood & Belt Bolt

2336A.....\$1.65Ea  
1" X 1"

2336B.....\$1.65Ea  
1" X 1-1/2"

2336C.....\$1.65Ea  
1" X 2"

2336D.....\$1.65Ea  
1" X 3"

2336E.....\$1.65Ea  
1-1/4" X 1-1/4"

2336F.....\$1.65Ea  
1-1/2" X 1-1/2"