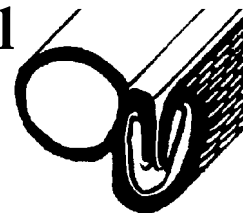


1962-1966 Chrysler Door Seal

This weatherstrip is a combination windlace/door seal that clips on the body of the car. This reproduction is available in correct Chrysler colors, with a weave pattern on the cloth that closely duplicates the original.

Our Seals are cut to length to fit various body styles.



1120A.....\$125.00/CAR	1120B.....\$150.00/CAR	1120C.....\$245.00/CAR
1962-66 A & B Body	1962-66 A & B Body	1962-66 A & B Body
Htop & Conv.	2 Door Sedans	4 Door Sedans
20 Feet	26 Feet	44 Feet

Color	Part #	Part #	Part #
Black	1120A-BLK	1120B-BLK	1120C-BLK
Tan/Beige (Gold)	1120A-TAN	1120B-TAN	1120C-TAN
Aqua/Turquoise	1120A-AQU	1120B-AQU	1120C-AQU
Red	1120A-RED	1120B-RED	1120C-RED
Grey	1120A-GRY	1120B-GRY	1120C-GRY
Palomino (Tan-Rose)	1120A-PAL	1120B-PAL	1120C-PAL
Metallic Blue	1120A-BLU	1120B-BLU	1120C-BLU
Green/Gold	1120A-GRE	1120B-GRE	1120C-GRE
Copper/Brown	1120A-COP	1120B-COP	1120C-COP
Champagne	1120A-CHP	1120B-CHP	1120C-CHP
Fawn/Sand	1120A-FWN	1120B-FWN	1120C-FWN
Maroon	1120A-MAR	1120B-MAR	1120C-MAR
Bright Green (Lancer)	1120A-BGR	1120B-BGR	1120C-BGR
Navy	1120A-NVY	1120B-NVY	1120C-NVY

Push On Trim Seals

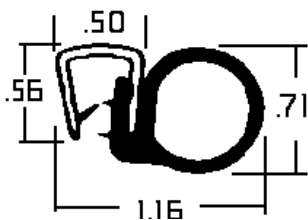
Push on trim seals offer a fast, easy way to weatherstrip and trim vehicle doors and windows.

They install by simply pushing them over raw edges.

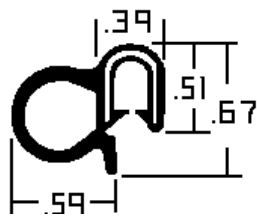
ST series parts are closed cell sponge seal with attached leather grain vinyl trim with a steel core.

Push on metal flanges that measure .060" To .155" Thick.

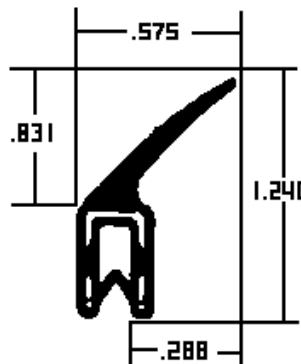
RS sections are all rubber extrusions. The bulb seals the opening. The rubber base is wire cored for strong grip. BZ sections are rubber with a steel core.



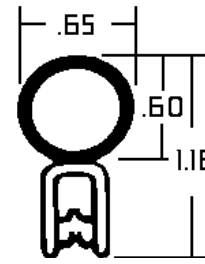
ST36A
Door Weatherstrip
\$3.00/Ft....\$60.00/25Ft



BZ617
Door Weatherstrip
\$2.50/Ft....\$50.00/25Ft



BZ634
Door Weatherstrip
\$2.50/Ft....\$50.00/25Ft



RS103
Trunk Weatherstrip
Universal & Foreign
\$2.50/Ft....\$50.00/25Ft