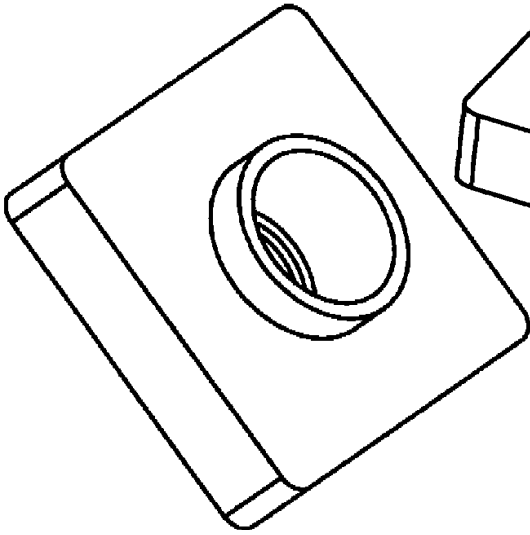
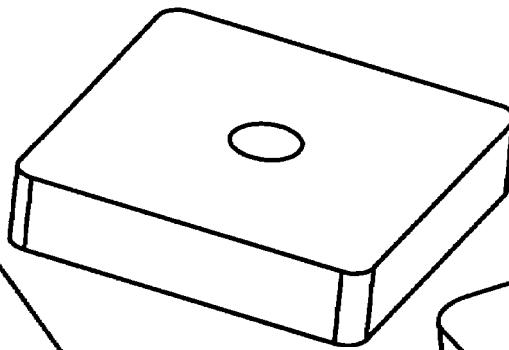


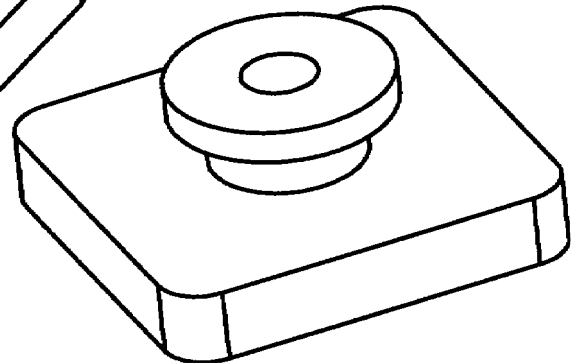
Body Mounts, Bushings & Motor Mounts- Solid Rubber



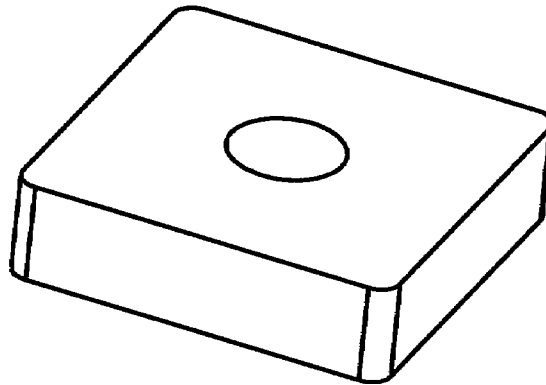
20015.....\$7.00Ea
41-58 Buick, 52-53 Cadillac
& Others
2-1/4" X 2-1/4" 1/2" Thick
Collar 1-1/16" X 1/4" Thick
7/8" Hole



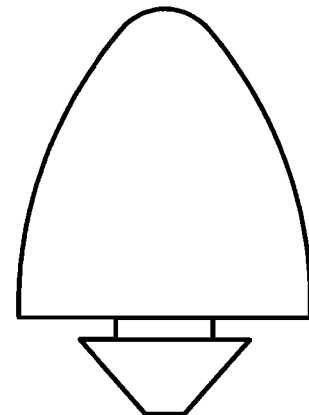
20016.....\$7.00Ea
37 Buick & Others
2" X 2" 7/16" Thick
3/8" Hole



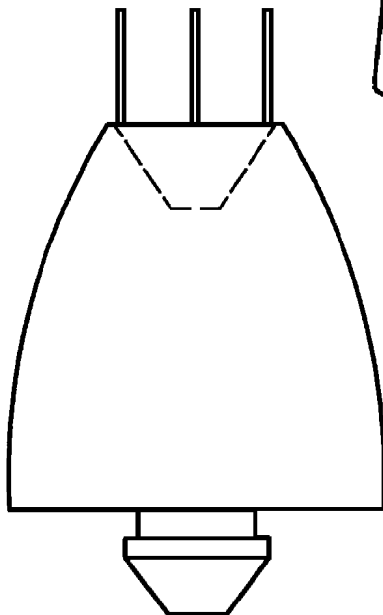
20017.....\$7.00Ea
38-38 Buick & Others
2-1/4" X 2-1/4" 7/16" Thick
Collar 1-3/16" X 1/2" Thick
7/16" Hole



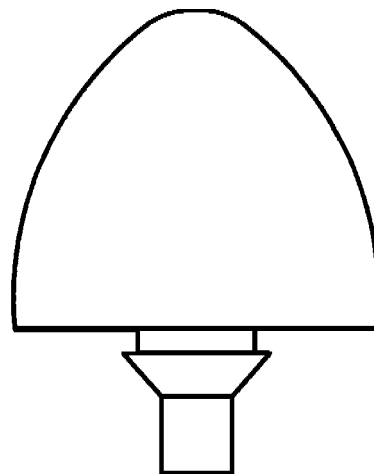
20018.....\$7.00Ea
40-49 GM Cars
2-1/16" X 2-1/16" 9/16" Thick
5/8" Hole



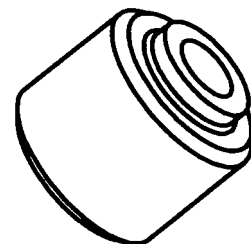
20019.....\$5.50Ea
40-Mid 50'S GM Control Arm
Bumper
1-1/2" Base X 1-3/4" Tall



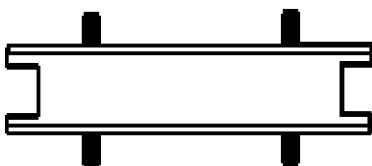
20021.....\$8.25Ea
Late 30 GM Springbumper
1-15/16" Base X 2" Tall



20020.....\$6.50Ea
Mid 50-60 GM Control Arm
Bumper
1-7/8" Base X 1-3/4" Tall



20022.....\$2.00Ea
37-64 GM Shock &
Stabilizer Link Bushing
1" X 25/32" Thick
3/8" Hole



990414.....\$45.00Ea
37-60 Chrysler Motor Mount,
6 Cylinder